

STI UNIVERSAL BUTTON

Revolutionary Button Helps Save Time and Money - Offers 240 Different Combinations for the Price of One

This momentary button helps eliminate having to stock dozens of push buttons, and wasting precious time and money tracking down just the right button for a customer. It has everything required to provide just what a customer wants in one convenient package. It's ready to be assembled out of box and is easily installed within minutes right on site.

Universal Button offers an astounding 240 different combinations for the price of a standard one configuration button. The faceplate is constructed of cast aluminum metal, allowing it to take tough knocks in stride, and is slightly oversized to cover old plate installation marks. Button package includes: faceplate, three illuminated push buttons, four changeable button messages and ten changeable illuminated activation messages.

How it Works

The installer simply has to choose which lens cover, button insert and interchangeable message plate works best for the customers need, and easily snap them in place. This allows the button to be mounted in a matter of minutes instead of waiting weeks for a specific button to be ordered and delivered.



UB-1



Features

- Momentary button has everything required to provide just what a customer wants in one convenient package.
- Faceplate constructed of cast aluminum.
- Illuminated 24 volt LED button and illuminated message light kit.
- Two sets of independent Form "C" contacts.
- Contacts rated at 10A, 1/2 HP, 125/250 VAC, 6A, 30V.
- Temperature: -40° to 185° F (-40° to 85°C).
- UL Listed to U.S. and Canadian safety standards.
- 100,000 operations.
- Mounts to standard electrical handi box.
- Offers 240 different combinations.
- Single gang plate slightly oversized to cover old plate installation marks.
- Four inserts for the button included – EXIT, PUSH, handicap symbol and blank.
- Three different lens covers included – red, green and blue.
- Ten color coated message inserts in green, blue, yellow and white.
- Plate messages inscribed with EXIT, EMERGENCY and translucent blanks (allowing for custom labels).
- Lifetime guarantee against breakage of polycarbonate in normal use (one year on electronics).



Safety Technology International, Inc.

2306 Airport Road • Waterford, Michigan 48327-1209

Phone: 248-673-9898 • Fax: 248-673-1246 • Toll Free: 800-888-4STI • E-mail: info@sti-usa.com • Web: www.sti-usa.com

Europe Branch Office • Unit 49G Pipers Road • Park Farm Industrial Estate • Redditch • Worcestershire • B98 0HU • England

Tel: 44 (0) 1527 520 999 • Fax: 44 (0) 1527 501 999 • Freephone: 0800 085 1678 (UK only) • E-mail: info@sti-europe.com • Web: www.sti-europe.com

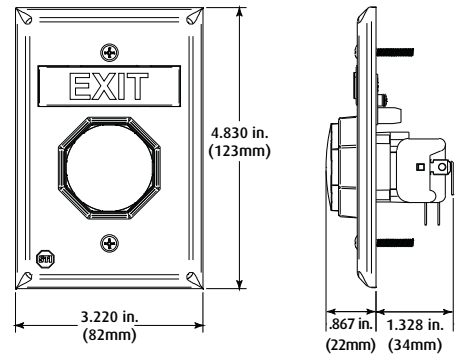
STI UNIVERSAL BUTTON

Dimensions and Technical Information

Model Available
UB-1 Universal Button

Approval
 It has been tested and approved or listed by:
 • UL/cUL File S7255, Volume 2

Accessories	PART #	DESCRIPTION
	LT-1	Latching/Timer Module
	UB-2LENS	2" Lens
	UB-1CL-COLOR	Custom Label applied to blank, changeable message plates (blue, green, white or yellow plate)
	SUB-UB-1C	Contact Block
	SUB-71102A-COLOR	Color Match Backbox Kit (red, blue, green, white or yellow)
	10147	24 Volt LED, White (standard)
	10145	24 Volt LED, Red
	10141	24 Volt LED, Blue
	10143	24 Volt LED, Green
	10144	12 Volt LED, Red
	10140	12 Volt LED, Blue
	10142	12 Volt LED, Green
	STI-6518	Bopper Stopper® Protective Cover
	STI-6600-COLOR	Mini Stopper® II with Horn (blue, green, white or yellow)



ALL THIS INCLUDED IN ONE PACKAGE



ILLUMINATED PUSH BUTTONS



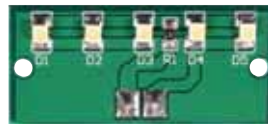
BUTTON MESSAGES



FORM "C" CONTACT BLOCK



MESSAGE LIGHT KIT



MESSAGE LIGHT DIFFUSER



ILLUMINATED MESSAGES



NOTE: BLANK PLATES FOR CUSTOM MESSAGE OR STI CAN CUSTOMIZE A MESSAGE FOR YOU. ORDER LABEL #UB-1CL-COLOR.