

**NO  
EXCUSES!**



# DBX

## As Built Drawings Cabinet



The DBX "AS BUILT DRAWINGS" Cabinet offers the convenience of having building layouts and alarm documents readily accessible for fire departments and other authorized personnel.

This surface mount cabinet is fabricated from 16 gauge steel with a durable, baked on, red textured powder coat finish, white 1" high lettering and features a stainless steel piano hinge and a high security CAT 30 keyed piano lock.



Available in sizes AA, A and D

**Standard Features:**

- Available in sizes:
 

|     | Width   | Height  | Depth |
|-----|---------|---------|-------|
| AA: | 12 1/4" | 14 1/4" | 4"    |
| A:  | 26 1/4" | 14 1/4" | 4"    |
| D:  | 26 1/4" | 23 5/8" | 4"    |
- 16 gauge steel construction
- Durable red textured finish
- White 1" indelible lettering "AS BUILT DRAWINGS"
- Stainless steel piano hinge with CAT 30 keyed door lock
- Surface mount box
- Wall mounting holes

**Options:**

- Custom finish
- Custom legend
- Custom lock
- Flush Flange

**Integration Accessories**

Space Age Electronics, Inc.  
406 Lincoln Street  
Marlboro, MA 01752-2195  
www.1sae.com  
**800.486.1723**—voice  
508.485.0966  
508.485.4740—fax



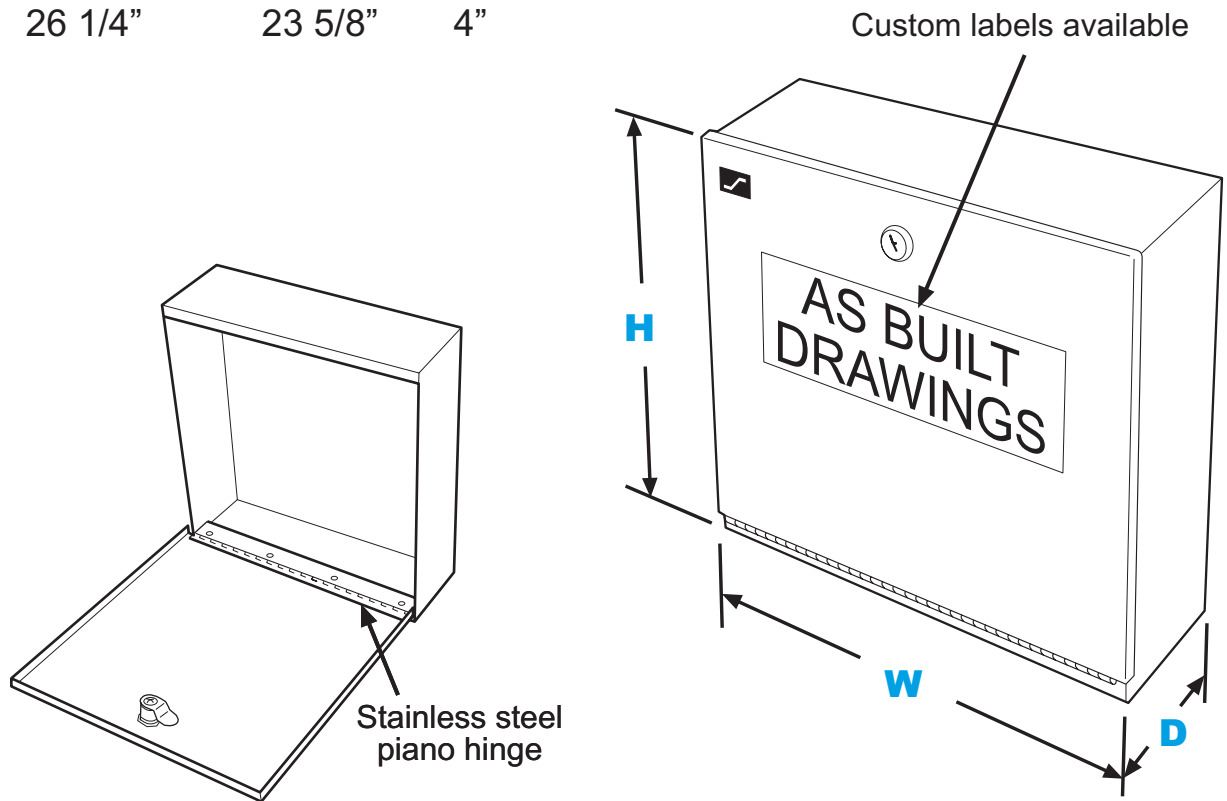
ISO9001 REGISTERED

Made In U.S.A.

## Description:

The **DBX As Built Drawings Cabinet** is constructed of 16 gauge (.062 thk.) cold rolled steel and finished with a durable red textured, heat-resistant baked-on enamel finish. The front cover includes a durable label displaying "AS BUILT DRAWINGS" in 1" white indelible lettering, applied to the cover relative to the orientation of the installed backbox. The front cover features a high security CAT 30 keyed door lock. Custom finish, legend and lock available. Back box universal surface mount design and wall mounting holes.

| Size | Dimensions of Cabinet |         |    |
|------|-----------------------|---------|----|
|      | W                     | H       | D  |
| AA   | 12 1/4"               | 14 1/4" | 4" |
| A    | 26 1/4"               | 14 1/4" | 4" |
| D    | 26 1/4"               | 23 5/8" | 4" |



## Ordering Information:

| Part #   | Description                             |
|----------|---|
| SSU00674 | DBX <b>AA</b> As Built Drawings Cabinet |
| SSU00677 | DBX <b>A</b> As Built Drawings Cabinet  |
| SSU00678 | DBX <b>D</b> As Built Drawings Cabinet  |
| SSU00680 | DBX <b>A</b> Semi Flush Flange - Red    |
| SSU00681 | DBX <b>D</b> Semi Flush Flange - Red    |

### Integration Accessories

Space Age Electronics, Inc.  
 406 Lincoln Street  
 Marlboro, MA 01752-2195  
[www.1sae.com](http://www.1sae.com)  
**800.486.1723**—voice  
 508.485.0966  
 508.485.4740—fax