

HD135 Series

135°F Fixed Temperature Heat Alarm

24 units per carton, 34 pounds per carton

Applications

The HD135 heat alarm is for use as a warning device in residential applications. Each alarm has a solid state piezo signal to warn and alert the household to the presence of threatening heat.

The HD135 alarm is designed to detect heat that results from an actual fire. Heat alarms are intended for use as supplements to smoke alarms. This unit cannot detect smoke or toxic gases, therefore, do not rely solely on this heat alarm to provide a warning of fire. In the event AC power fails, a 9V battery will provide proper alarm operation for a minimum of a 24-hour period.

The HD135 Series is ANSI/UL 539 listed and are warranted for one year from date of purchase.

Standard Features

- Available in 120VAC and 220VAC with 9V battery back-up
- 135°F fixed temperature
- 90 dBA temporal 3 piezo horn
- Horn frequency 3100Hz (nominal)
- Solid-state LED condition indicator
- Quick-disconnect wiring harness
- Tandem interconnect with current Gentex alarm models
- Easy Wash® - On-site maintenance washing program
- Mounting hardware adapts to standard junction boxes
- Low or missing battery indicator
- One year warranty from date of purchase

Model	Part Number	Voltage (VAC)	Temporal 3 Piezo Sounder
HD135	917-0023-002	120	*
HD135-223	917-0055-002	220	*

Electrical Specifications

Operating Voltage (9123)	120VAC, 60Hz
Operating Voltage (9223)	220VAC, 50Hz
Operating Current	0.045 amps
Operating Current (Relay Options)	0.070 amps
Operating Ambient Temp Range	40°F to 100°F
Alarm Horn Rating	90dBA at 10'
Nominal Sensitivity	2.5% obscuration
"F" Auxiliary Relay	1 Form A and 1 Form C (0.6 amp)
"T" Integral Thermal (Self-Restoring)	135°F at 50 feet
"H" Isolated Thermal Form A (Self-Restoring)	135°F at 50 feet
Size	Diameter: 6.5" OA (5.75" at ceiling) Depth: 2.625"
Secondary Power Source	Alkaline 9VDC battery Duracell® MN 1604



Product Listings



- ANSI/UL 539
- CSFM: 7254-0569:0142
- BFP (City of Chicago)
- MEA: 285-91-E Vol. XV

Product Compliance

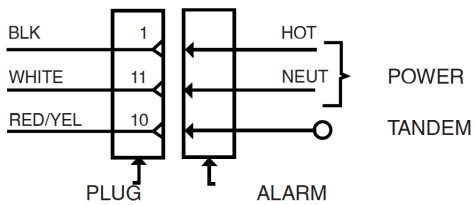
- NFPA 72
- IBC/IFC/IRC
- Quality Management System is certified to: ISO 9001:2008



HD135 Series

135°F Fixed Temperature Heat Alarm

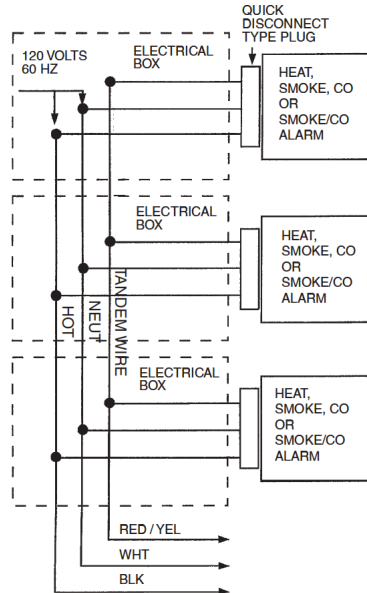
Heat Alarm Wiring Diagram



Caution

- RED/YELLOW wire to be capped when not in use
- This wire is for tandem connection only
- Do not connect to any other circuit

Wiring Two or More Alarms



Limitations

- Maximum of 12 smoke alarms and 6 other heat or CO alarms, to total not more than 18 interconnected alarms.
- Do not exceed 1125 ft. between the first and last alarm
- Note: Gentex smoke alarms can not be interconnected to detectors from other manufacturers

Caution

- All alarms in tandem installation must be controlled by the same fuse or circuit breaker. Tandem will operate in the event of an AC power failure if battery is connected to the alarm.

Note

- A maximum of five (5) alarms of with the relay options and three (3) heat alarms may be tandem interconnected.

Architect & Engineering Specifications

The heat alarm shall be a Gentex Model HD135/HD135-223 or approved equal which shall provide at least the following features and functions.

- Nominal rating shall be 135°F fixed temperature.
- The alarm shall utilize a bimetalic sensing element when the surrounding air temperature reaches 135°F, the unit will go into alarm.
- The alarm shall have a 9V alkaline battery as a back-up in the event building power is lost.
- The 9V battery impedance shall be verified by the circuit of the heat alarm.
- The alarm shall provide an indicator when the battery is low in power or high impedance or is missing.
- A solid state piezo alarm rated at 90 dBA at 10ft.
- A visual LED monitor (condition indicator) will slow pulse in normal operation and rapid pulse in alarm.
- The alarm shall have tandem capabilities of up to 18 units.
- Can be interconnected with AC alarms, Gentex CO1209, GN-503, S1209, 9123, 7139CS and 9223 alarm series, or other Gentex HD135 units.
- The manufacturer shall provide other compatible heat alarm models or smoke alarm models with the following optional features: a) 135°F isolated thermal with normally opened contact for remote connection to local alarm or annunciator; b) 135°F integral thermal; c) auxiliary Form A/Form C relay contact for initiating remote functions and annunciation; d) relay option that is capable of activation by tandem interconnect wire. Thermal sensor shall be self-restoring.
- Unit must be ANSI/UL 539 listed for both wall and ceiling mount.
- Unit shall also meet all requirements of the State of California Fire Marshal.

All equipment shall be completely factory assembled, wired and tested, and the contractor shall be prepared to submit a certified letter testifying to this condition. Smoke alarms which do not meet all of the requirements of this specification will not be considered.

GENTEX
CORPORATION

Fire Protection Products Group | 10985 Chicago Drive | Zeeland, MI 49464
gentex.com | Phone: 616.392.7195 | Toll-free: 800.436.8391 | Fax: 616.392.4219

551-0041-04

Important Notice: These materials have been prepared by Gentex Corporation ("Gentex") for informational purposes only, are necessarily summary, and are not purported to serve as legal advice and should not be used as such. Gentex makes no representations and warranties, express or implied, that these materials are complete and accurate, up-to-date, or in compliance with all relevant local, state and federal laws, regulations and rules. The materials do not address all legal considerations as there is inevitable uncertainty regarding interpretation of laws, regulations and rules and the application of such laws, regulations and rules to particular fact patterns. Each person's activities can differently affect the obligations that exist under applicable laws, regulations or rules. Therefore, these materials should be used only for informational purposes and should not be used as a substitute for seeking professional legal advice. Gentex will not be responsible for any action or failure to act in reliance upon the information contained in this material. Gentex Corporation reserves the right to make changes to the product data sheet at their discretion.