



AdaptaHorn® Grille Type Hazardous Location Horn

*Diode Polarized,
Outdoor Rated, NEMA Type 4X*

878DEX, 879DEX, 888D & 889D Series

FEATURES

- > Diode polarized
- > Corrosion resistant heat flowed epoxy finish
- > Low current drain
- > Available in grey or red

AGENCY APPROVALS

- > UL Listed for Class I, Division 1 and 2, Groups B, C, and D; Class II, Division 1 and 2, Groups E, F, and G; and Class III locations
- > UL Listed for outdoor locations
- > NEMA Type 4X Rated
- > CSA version available

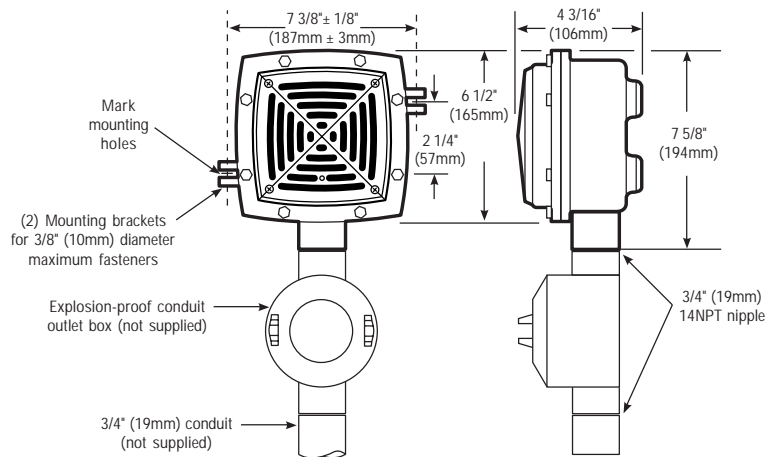
SPECIFICATIONS

- > Wide operating voltage range -20% to +10% of nominal voltage
- > Power connection wires embedded in sealing compound

The Edwards 878DEX, 879DEX, 888D and 889D Series are diode polarized, heavy-duty, high decibel, vibrating horn signals. They are intended for use in hazardous locations requiring electrical supervision of signaling circuit field wiring. May also be used for unsupervised signaling applications.

Two mounting brackets are provided on either side of the unit for wall mounting. The housing is tapped on one side for 3/4" (19mm) conduit to allow for field wiring installation.

For use in dusty, hazardous atmospheres where a distinctive, urgent signal is required. Typical applications include use in mines, petroleum plants, gas plants, grain elevators, flour mills, paper mills, textile plants and tankers.



Cat. No.	Volts	Amps	V A	DC coil Res. (Ohms)	dB at 10 Ft.
878DEX-N5	120V AC	0.13	15.6	150.0	97
879DEX-G1	24V DC	0.16	3.8	20.0	97
888D-N5	120V AC	0.13	15.6	150.0	97
889D-AW	20-24V DC	0.16	3.8	20.0	97

D-002

12-74

90 Fieldstone Court | Cheshire, CT 06410
Ph: 203.699.3300 | Fx: 203.699.3108
www.edwards-signals.com

EDWARDS
SIGNALING

© Copyright 2002 Edwards